

# CT4000 Level 2 Commercial Charging Stations

## Specifications and Ordering Information

### Ordering Information

Specify model number followed by the applicable code(s).  
 The order code sequence is: **Model-Options, Software, Services**  
 and **Misc** are ordered as separate line items.

### Hardware

| Description | Order Code   |                            |
|-------------|--|----------------------------|
| Model       | 1830 mm (6') Single Port Bollard Mount<br>1830 mm (6') Dual Port Bollard Mount | CT4011<br>CT4021           |
|             | 1830 mm (6') Single Port Wall Mount<br>1830 mm (6') Dual Port Wall Mount       | CT4013<br>CT4023           |
|             | 2440 mm (8') Dual Port Bollard Mount<br>2440 mm (8') Dual Port Wall Mount      | CT4025<br>CT4027           |
| Options     | Integral Gateway Modem - USA<br>Integral Gateway Modem - Canada                | -GW1<br>-GW2               |
| Misc        | Power Management Kit<br>Bollard Concrete Mounting Kit                          | CT4000-PMGMT<br>CT4001-CCM |

### Software & Services

| Description                                     | Order Code                           |
|---|--------------------------------------|
| ChargePoint Commercial Service Plan             | CTSW-SAS-COMM- <i>n</i> <sup>1</sup> |
| ChargePoint Service Provider Plan               | CTSW-SAS-SP- <i>n</i> <sup>1</sup>   |
| ChargePoint Assure                              | CT4000-ASSURE $n^2$                  |
| Station Activation and Configuration            | CPSUPPORT-ACTIVE                     |
| ChargePoint Station Installation and Validation | CT4000-INSTALLVALID                  |

Note: All CT4000 stations come with 1 year of ChargePoint Assure coverage at no charge for qualified installations. Other conditions apply. All CT4000 stations require a network service plan.

<sup>1</sup> Substitute *n* for desired years of service (1, 2, 3, 4, or 5 years).

<sup>2</sup> Substitute *n* for the duration of the additional coverage (1, 2, 3, or 4 years).

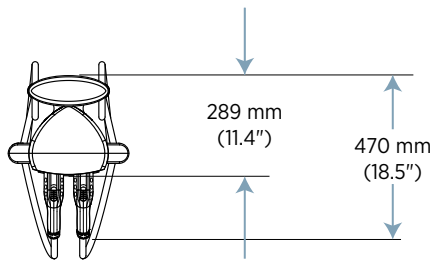
### Order Code Examples

| If ordering this  | the order code is        |
|---|--------------------------|
| 1830 mm (6') Dual Port Bollard USA Gateway Station with Concrete Mounting Kit | CT4021-GW1<br>CT4001-CCM |
| ChargePoint Commercial Service Plan, 3 Year Subscription                      | CTSW-SAS-COMM-3          |
| ChargePoint Station Installation and Validation                               | CT4000-INSTALLVALID      |
| 2 Additional Years of Assure Coverage   | CT4000-ASSURE2           |
| 1830 mm (6') Single Port Wall Mount Station                                   | CT4013                   |
| ChargePoint Commercial Service Plan, 5 Year Subscription                      | CTSW-SAS-COMM-5          |
| 4 Additional Years of Assure Coverage   | CT4000-ASSURE4           |
| Station Activation and Configuration  | CPSUPPORT-ACTIVE         |

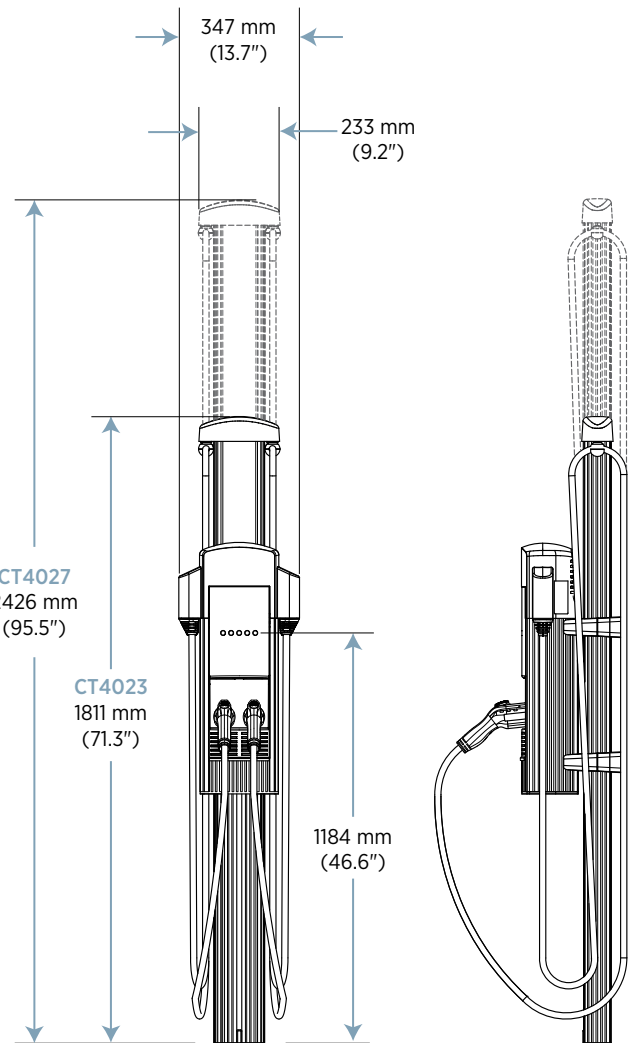
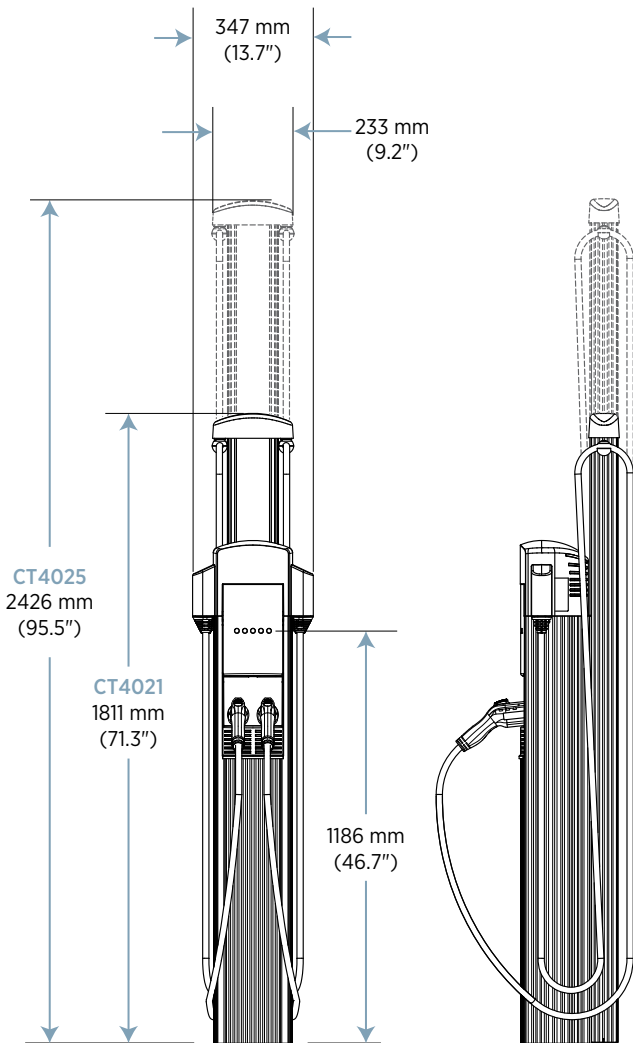
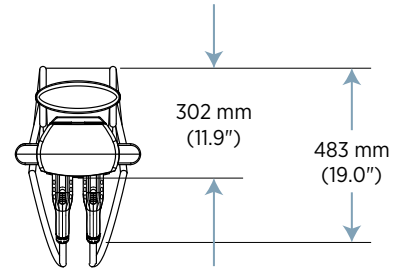


CT4021

**CT4021** 1830 mm (6')  
**CT4025** 2440 mm (8')  
**Bollard**



**CT4023** 1830 mm (6')  
**CT4027** 2440 mm (8')  
**Wall Mount**



## CT4000 Family Specifications

| Electrical Input             | Single Port (AC Voltage 208/240V AC)                                      |                        |                                | Dual Port (AC Voltage 208/240V AC) |                                     |                                   |
|------------------------------|---|------------------------|--------------------------------|------------------------------------|-------------------------------------|-----------------------------------|
|                              | Input Current   | Input Power Connection | Required Service Panel Breaker | input Current                      | Input Power Connection              | Required Service Panel Breaker    |
| Standard                     | 30A   | One 40A branch circuit | 40A dual pole (non-GFCI type)  | 30A x 2                            | Two independent 40A branch circuits | 40A dual pole (non-GFCI type) x 2 |
| Standard Power Share         | n/a   | n/a                    | n/a                            | 32A                                | One 40A branch circuit              | 40A dual pole (non-GFCI type)     |
| Power Select 24A             | 24A   | One 30A branch circuit | 30A dual pole (non-GFCI type)  | 24A x 2                            | Two independent 30A branch circuits | 30A dual pole (non-GFCI type) x 2 |
| Power Select 24A Power Share | n/a   | n/a                    | n/a                            | 24A                                | One 30A branch circuit              | 30A dual pole (non-GFCI type)     |
| Power Select 16A             | 16A   | One 20A branch circuit | 20A dual pole (non-GFCI type)  | 16A x 2                            | Two independent 20A branch circuits | 20A dual pole (non-GFCI type) x 2 |
| Power Select 16A Power Share | n/a   | n/a                    | n/a                            | 16A                                | One 20A branch circuit              | 20A dual pole (non-GFCI type)     |
| Service Panel GFCI           | Do not provide external GFCI as it may conflict with internal GFCI (CCID) |                        |                                |                                    |                                     |                                   |
| Wiring - Standard            | 3-wire (L1, L2, Earth)  |                        |                                | 5-wire (L1, L1, L2, L2, Earth)     |                                     |                                   |
| Wiring - Power Share         | n/a   |                        |                                | 3-wire (L1, L2, Earth)             |                                     |                                   |
| Station Power                | 8W typical (standby), 15W maximum (operation)                             |                        |                                |                                    |                                     |                                   |

## Electrical Output

|                              |                       |  |
|------------------------------|-----------------------|--|
| Standard                     | 7.2kW (240V AC @ 30A) | 7.2kW (240V AC@30A) x 2                            |
| Standard Power Share         | n/a                   | 7.2kW (240V AC@30A) x 1 or 3.8kW (240V AC@16A) x 2 |
| Power Select 24A             | 5.8kW (240V AC@24A)   | 5.8kW (240V AC@24A) x 2                            |
| Power Select 24A Power Share | n/a                   | 5.8kW (240V AC@24A) x 1 or 2.9kW (240V AC@12A) x 2 |
| Power Select 16A             | 3.8kW (240V AC@16A)   | 3.8kW (240V AC@16A) x 2                            |
| Power Select 24A Power Share | n/a                   | 3.8kW (240V AC@16A) x 1 or 1.9kW (240V AC@8A) x 2  |

## Functional Interfaces

|   |   |                 |
|---|---|-----------------|
| Connector(s) Type                               | SAE J1772™  | SAE J1772™ x 2  |
| Cable Length - 1830 mm (6')<br>Cable Management | 5.5 m (18')   | 5.5 m (18') x 2 |
| Cable Length - 2440 mm (8')<br>Cable Management | n/a   | 7 m (23')       |
| Overhead Cable Management System                | Yes   |                 |
| LCD Display                                     | 145 mm (5.7") full color, 640x480, 30fps full motion video, active matrix, UV protected |                 |
| Card Reader                                     | ISO 15693, ISO 14443, NFC   |                 |
| Locking Holster                                 | Yes   | Yes x 2         |

### Safety and Connectivity Features

|                              |   |
|------------------------------|---|
| Ground Fault Detection       | 20mA CCID with auto retry   |
| Open Safety Ground Detection | Continuously monitors presence of safety (green wire) ground connection |
| Plug-Out Detection           | Power terminated per SAE J1772™ specifications                          |
| Power Measurement Accuracy   | +/- 2% from 2% to full scale (30A)                                      |
| Power Report/Store Interval  | 15 minute, aligned to hour  |
| Local Area Network           | 2.4 GHz Wi-Fi (802.11 b/g/n)  |
| Wide Area Network            | 3G GSM, 3G CDMA   |




### Safety and Operational Ratings

|  |   |
|--|---|
| Enclosure Rating                         | Type 3R per UL 50E  |
| Safety Compliance                        | UL listed for USA and cUL certified for Canada; complies with UL 2594, UL 2231-1, UL 2231-2, and NEC Article 625                        |
| Surge Protection                         | 6kV @ 3000A. In geographic areas subject to frequent thunder storms, supplemental surge protection at the service panel is recommended. |
| EMC Compliance                           | FCC Part 15 Class A   |
| Operating Temperature                    | -30°C to +50°C (-22°F to 122°F)   |
| Storage Temperature                      | -30°C to +60°C (-22°F to 140°F)   |
| Non-Operating Temperature                | -40°C to +60°C (-40°F to 140°F)   |
| Operating Humidity                       | Up to 85% @ +50°C (122°F) non-condensing  |
| Non-Operating Humidity                   | Up to 95% @ +50°C (122°F) non-condensing  |
| Terminal Block Temperature Rating        | 105°C (221°F)   |
| Charging Stations per 802.11 Radio Group | Maximum of 10. Each station must be located within 45m (150') "line of sight" of a gateway station.                                     |

ChargePoint, Inc. reserves the right to alter product offerings and specifications at any time without notice, and is not responsible for typographical or graphical errors that may appear in this document.

### Contact Us

To order your CT4000 charging station:

-  Visit [chargepoint.com/sales](http://chargepoint.com/sales)
-  Call +1.408.705.1992
-  Email [sales@chargepoint.com](mailto:sales@chargepoint.com)



Toll Free: (866) 417-9995  
[www.novacharge.net](http://www.novacharge.net)

ChargePoint, Inc.  
 254 East Hacienda Avenue | Campbell, CA | 95008-6617 USA  
 +1.408.841.4500 or toll free +1.877.370.3802  
[chargepoint.com](http://chargepoint.com)

Copyright © 2016 ChargePoint, Inc. All rights reserved. CHARGEPOINT is a U.S. registered trademark/service mark, and an EU registered logo mark of ChargePoint, Inc. All other products or services mentioned are the trademarks, service marks, registered trademarks or registered service marks of their respective owners. DS-CT4000-03. February 2016. PN 73-001020-01-9.

Printed on paper made with 100% post-consumer fiber and 100% certified renewable energy, and processed chlorine free.

Listed by Underwriters Laboratories Inc. 

