

# Express 100 DC Commercial Charging Stations

## Specifications and Ordering Information

### Ordering Information

Specify model number followed by the applicable code(s). The order code sequence is: **Model-Options. Software, Services** and **Misc** are ordered as separate line items.

### Hardware

Description		Order Code
Model	Single port, single connector, 25kW, Combo 1 connector	CPE100I-S-CMB
Option	Floor Mount Stand	CPE100I-STAND

### Software and Services

Description	Order Code
ChargePoint Commercial Service Plan	CTSW-SAS-COMM-DC- <i>n</i> <sup>1</sup>
ChargePoint Service Provider Plan	CTSW-SAS-SP- <i>n</i> <sup>1</sup>
ChargePoint Assure	CPE100-ASSURE <i>n</i> <sup>2</sup>
Station Activation and Configuration	CPSUPPORT-ACTIVE

Note: All CPE100 stations come 1 year of ChargePoint Assure coverage at no charge for qualified installations. Other conditions apply. All CPE100 stations require a network service plan.

<sup>1</sup> Substitute *n* for desired years of service (1, 2, 3, 4, or 5 years).

<sup>2</sup> Substitute *n* for the duration of the additional years of coverage (1 or 2 years).

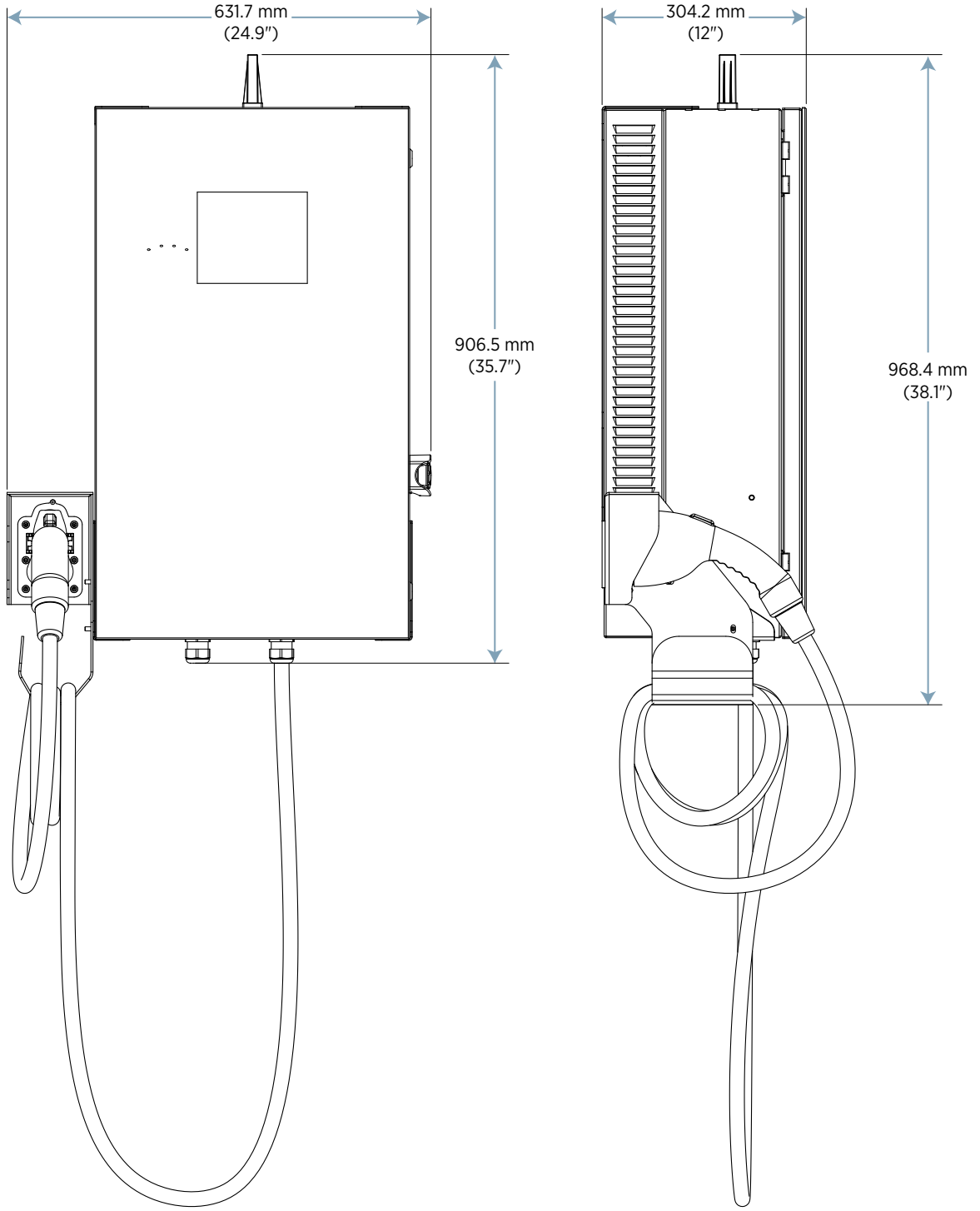
### Order Code Examples

If ordering this	the order code is
Single port, single connector, 25kW, Combo 1 connector	CPE100I-S-CMB
Floor Mount Stand	CPE100I-STAND
ChargePoint Commercial Service Plan, 3 Year Subscription	CTSW-SAS-COMM-DC-3
2 additional years of ChargePoint Assure	CPE100-ASSURE2

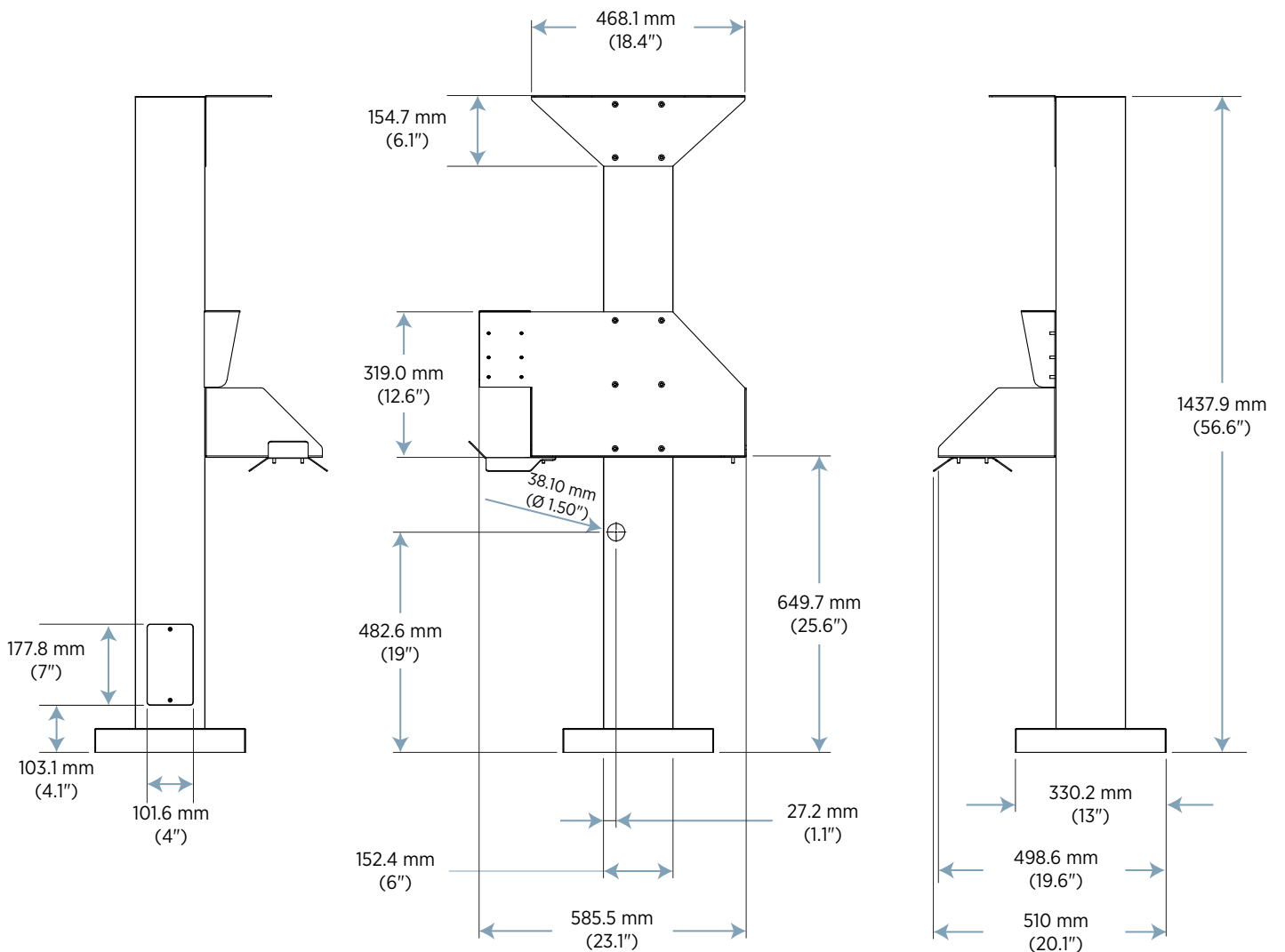
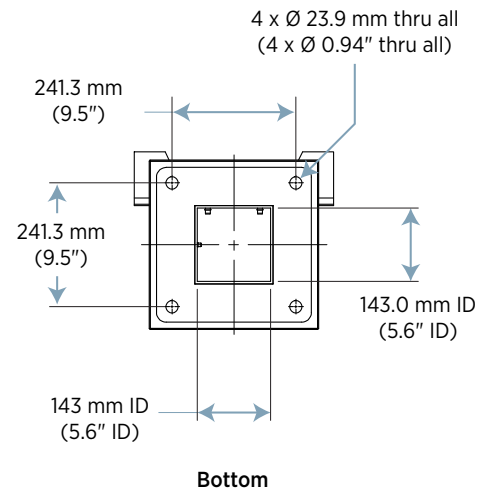
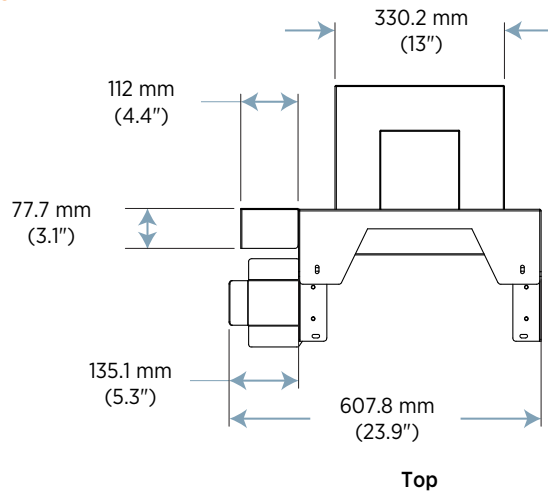


Express 100

## Express 100 Charging Station



Express 100 Stand



## Express 100 Specifications

### Electrical Input

Input Power	26.6 kW
Input Voltage	400 – 480V AC 3 phase
Input Current	32A @ 480V AC
Input Frequency	60Hz ±5%
Required Service Panel Breaker	3-pole 40A breaker on dedicated circuit, non-GFCI type
Standard Wiring	4-wire 3 phase (L1, L2, L3, Earth)

### Electrical Output

Nominal Output Power	24kW (@387-460 V)
Output Voltage	300 – 460V DC
Output Current	62A max

### Functional Interfaces




Connector Types	CCS1 (SAE J1772 Combo)
Cable Length	6.1 m (20')
LCD Display	2 line LCD display
Card Reader	ISO 15693, ISO 14443, NFC

### Safety and Connectivity Features

Vehicle Safety Communication	CCS1 -SAE J1772 Combo over PLC
Plug-Out Detection	Power terminated per JEVS G104
Power Measurement Accuracy	+/- 2% from 10% to full scale
Power Report/Store Interval	15 minute, aligned to hour
Wide Area Network	3G GSM, 3G CDMA

## Contact Us

To order your ChargePoint Express 100 charging station:

-  Visit [chargepoint.com/sales](http://chargepoint.com/sales)
-  Call +1.408.705.1992
-  Email [sales@chargepoint.com](mailto:sales@chargepoint.com)

### Safety and Operational Ratings

Enclosure Rating	Type 3R, IP 54
Safety Compliance	ETL certified, ETL certification complies with UL standards 2202, 2231-1 and 2231-2
Surge Protection	6kV @ 3000A. In geographic areas subject to frequent thunder storms, supplemental surge protection at the service panel is recommended.
EMC Compliance	FCC part 15 subpart B
Efficiency	>94%
Power Factor	0.93
Cooling	Forced air cooled
Operational Altitude	<1800 m (<6,000'), power derating applies at higher altitudes
Optimum Operating Temperature	-30°C to +40°C (-22°F to 104°F) Full power between -20°C (-4°F) and 30°C (86°F)
Storage Temperature	-40°C to 70°C (-40°F to 158°F)
Operating Humidity	Up to 95% @ +50°C (122°F) non-condensing

### Generic Specifications

Dimensions	790 x 490 x 310 mm (31.1"H x 19.3"W x 12.2"D)
Shipping Dimensions	1092 x 635 x 635 mm (43"H x 25"W x 25"D)
Weight	68 kg (150 lb)
Shipping Weight	105 kg (231 lb)

### Express 100 Stand Specifications

Material	Stainless steel
Installation footprint	330 x 330 mm (13" x 13")
Dimensions	1422 x 584 x 508 mm (56.6"H x 23.9"W x 20.1"D)

ChargePoint, Inc. reserves the right to alter product offerings and specifications at any time without notice, and is not responsible for typographical or graphical errors that may appear in this document.



ChargePoint, Inc.  
254 East Hacienda Avenue, Campbell, CA  
95008-6617 USA  
+1.408.841.4500 or toll free +1.877.370.3802  
[chargepoint.com](http://chargepoint.com)



Toll Free: (866) 417-9995  
[www.novacharge.net](http://www.novacharge.net)

Copyright © 2016 ChargePoint, Inc. All rights reserved. CHARGEPOINT is a U.S. registered trademark/service mark, and an EU registered logo mark of ChargePoint, Inc. All other products or services mentioned are the trademarks, service marks, registered trademarks or registered service marks of their respective owners. DS-CPEI00-07. August 2016 PN 73-001069-01-7.

Printed on paper made with 100% post-consumer fiber and 100% certified renewable energy, and processed chlorine free.

