

# No Bollard Needed!

ClipperCreek has all your mounting needs covered with a sturdy 4" x 4" cold rolled steel pedestal — powder coated for a lasting finish.



**Convenient—built to last.** ClipperCreek's CS and TS lines of EVSEs have a *time tested* mounting solution for all your installation needs. The only mounting options on the market with more than 10 years field experience. All units come with a knockout perfectly situated for a 120V outlet.

- Wall Mount—the sturdy plastic shell is designed to mount straight to the wall with standard 16" on center mounting bolt holes. Electrical service can be brought in from the back or bottom of the unit.
- Single Mount Pedestal—able to mount a single unit. This sturdy mounting accessory stiffens the unit to prevent wobbling.
- Dual Mount Pedestal—minimize your installation costs and mount two units on a single pedestal.



ClipperCreek.com

# Mounting Solutions

## NO BULLARD NEEDED!

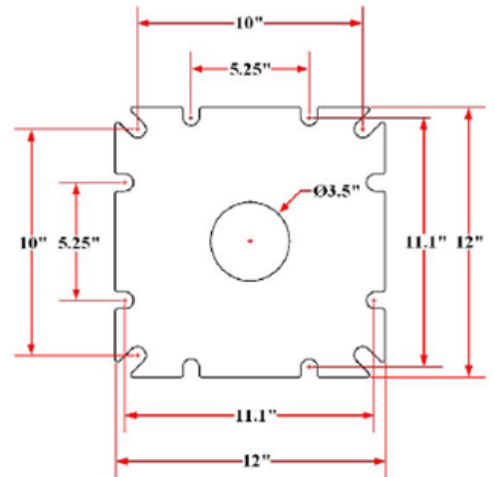
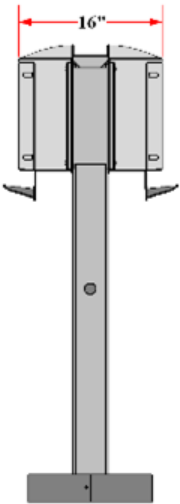
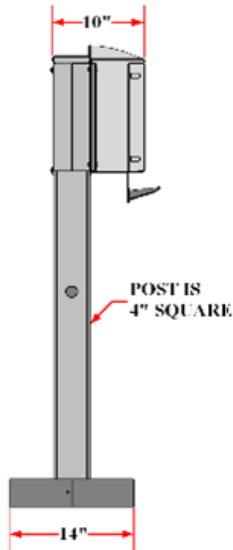
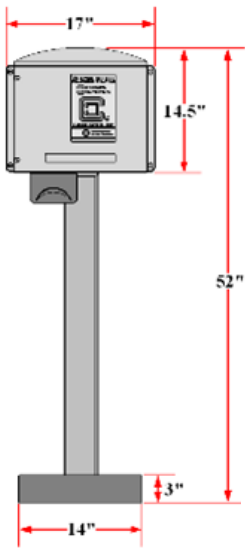
- 4" Cold Rolled Steel 1/4" thick can take the occasional fender bump.
- Powder Coated for a lasting installation.
- Pedestal doubles as electrical raceway.
- The only mounting configuration with more than 10 years field experience.

## DELIVERED WITH ALL INSTALL HARDWARE

- Vanity covers.
- 3/4" conduit.
- Pedestal cap.

## OPTIONS AVAILABLE

- 1" conduit for installations greater than 40 Amps.
- Dual Mounting Kit.
- 120 V GFCI protected outlet.



Optional Dual Mounting Kit

Standard Installation Conduit

Optional 1" Installation Conduit

Industry Standard Bolt Configuration

## QUESTIONS?

Call 530-887-1674 or [Information@ClipperCreek.net](mailto:Information@ClipperCreek.net)



[ClipperCreek.com](http://ClipperCreek.com)